

The TruWood® Collection

Coverage Chart and Product Profiles



1/2 in. COTTAGE LAP® SIDING



7/16 in. OLD MILL® PANEL SIDING



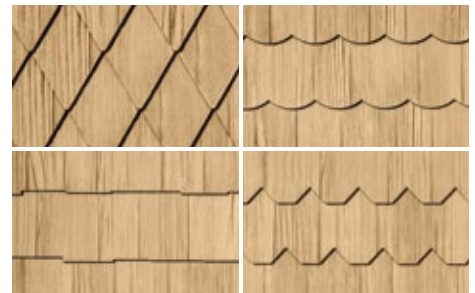
1/2 in. SELF-ALIGNING LAP SIDING



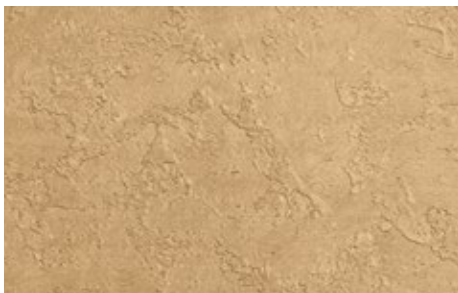
1/2 in. SURE LOCK™ LAP SIDING*



1/2 in. CHANNEL RUSTIC™ LAP SIDING



1/2 in. DESIGNER SHAKE® LAP SIDING



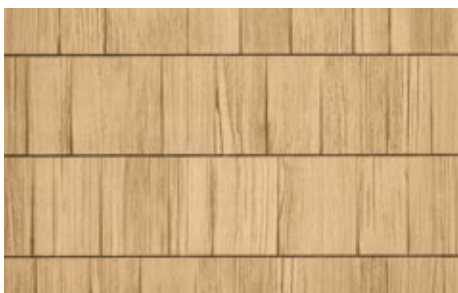
1/2 in. ADOBE™ PANEL SIDING



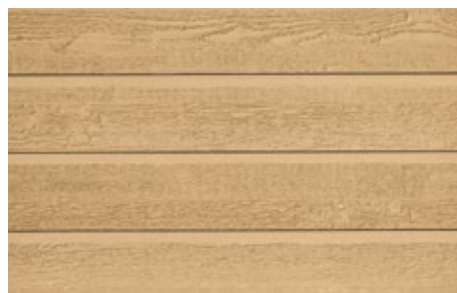
1/2 in. 808 OLD MILL® PANEL SIDING



OLD MILL® SHINGLE LAP SIDING



1/2 in. CEDAR SHAKE LAP SIDING



1/2 in. SURE LOCK™ SIX COTTAGE LAP® SIDING*



REVERSIBLE AND NON-REVERSIBLE TRIM



- Create distinctive homes with TruWood Siding and Trim
- EcoGuard® zinc borate process resists mildew, rot and termite damage
- Pre-primed for weatherability
- Easy and safe to install using normal woodworking tools. No silica dust.

*SURE LOCK: TRUWOOD'S UNIQUE CONCEALED NAILING SYSTEM

Siding and Trim Specifications and Coverage

LAP SIDING	Siding Size	Thickness	Pieces / Bundle	Pieces / Unit	Maximum Exposure in inches	Sq. ft. Coverage / Piece	Actual	Approx. Coverage Sq. ft. / Unit*	Approx. Sq. ft. Needed to Cover 1000 Sq. ft. of Wall Area*	Approx. Weight Lbs. / Unit
	OLD MILL® LAP									
	6 in. x 16 ft. Bevel Edge Lap	7/16 in.	6	336	5	6.67	0.395 in. x 6 in. x 16 ft.	2128	1260	4450
	8 in. x 16 ft. Bevel Edge Lap	7/16 in.	6	252	7	9.33	0.395 in. x 8 in. x 16 ft.	2234	1200	4440
	9-1/2 in. x 16 ft. Bevel Edge Lap	7/16 in.	6	210	8-1/2	11.33	0.395 in. x 9.5 in. x 16 ft.	2261	1174	4405
	12 in. x 16 ft. Bevel Edge Lap	7/16 in.	6	168	11	14.67	0.395 in. x 12 in. x 16 ft.	2341	1145	4490
	12 in. x 16 ft. Bevel Edge (Smooth)	7/16 in.	6	168	11	14.67	0.395 in. x 12 in. x 16 ft.	2341	1145	4505
	8 in. x 16 ft. Self-Aligning Lap	1/2 in.	5	210	7	9.33	0.485 in. x 8 in. x 16 ft.	1862	1200	3945
	12 in. x 16 ft. Self-Aligning Lap	1/2 in.	5	140	11	14.67	0.485 in. x 12 in. x 16 ft.	1951	1145	4215
	8 in. x 16 ft. Sure Lock	1/2 in.	5	210	7	9.33	0.485 in. x 8 in. x 16 ft.	1862	1200	4048
	12 in. x 16 ft. Sure Lock Cottage Six Lap	1/2 in.	5	140	11	14.67	0.485 in. x 12 in. x 16 ft.	1951	1145	4550
	12 in. x 16 ft. Sure Lock V-Rustic Lap	1/2 in.	5	140	11	14.67	0.485 in. x 12 in. x 16 ft.	1951	1145	4550
	12 in. x 16 ft. TwelveFour Cottage Lap	1/2 in.	5	140	11	14.67	0.485 in. x 12 in. x 16 ft.	1951	1145	3820
	12 in. x 16 ft. TwelveSix Cottage Lap	1/2 in.	5	140	11	14.67	0.485 in. x 12 in. x 16 ft.	1951	1145	3910
	16 in. x 16 ft. 4 in. Cottage Lap	1/2 in.	5	105	15	20	0.485 in. x 16 in. x 16 ft.	1995	1120	3940
	16 in. x 16 ft. 5 in. Cottage Lap	1/2 in.	5	105	15	20	0.485 in. x 16 in. x 16 ft.	1995	1120	4151
	16 in. x 16 ft. 8 in. Cottage Lap	1/2 in.	5	105	15	20	0.485 in. x 16 in. x 16 ft.	1995	1120	4151
	16 in. x 16 ft. Channel Rustic	1/2 in.	5	105	15	20	0.485 in. x 16 in. x 16 ft.	1995	1120	3910
	11-1/2 in. x 48-13/16 in Old Mill® Shingle Lap	1/2 in.	6	140	9-3/4	3.25	0.485 in. x 11.5 in. x 48.81 in.	432	1238	995
CEDAR SHAKE LAP										
	10-1/2 in. x 16 ft. Self-Aligning	1/2 in.	5	140	9-1/2	12.67	0.485 in. x 10.5 in. x 16 ft.	1685	1161	3700
DESIGNER SHAKE LAP										
	9-1/2 in. x 8 ft. Round	1/2 in.	6	90	6-3/4	4.5	0.485 in. x 9.5 in. x 8 ft.	385	1478	995
	9-1/2 in. x 8 ft. Fishscale	1/2 in.	6	90	7-1/2	5	0.485 in. x 9.5 in. x 8 ft.	428	1330	1050
	9-1/2 in. x 8 ft. Octagon	1/2 in.	6	90	6-3/4	4.5	0.485 in. x 9.5 in. x 8 ft.	385	1478	1050
	9-1/2 in. x 8 ft. Cove	1/2 in.	6	90	6-1/2	4.33	0.485 in. x 9.5 in. x 8 ft.	370	1535	1010
	9-1/2 in. x 8 ft. Diamond	1/2 in.	6	90	4-1/4	2.83	0.485 in. x 9.5 in. x 8 ft.	242	2347	960
	9-1/2 in. x 8 ft. Craftsmen	1/2 in.	6	90	8	5.33	0.485 in. x 9.5 in. x 8 ft.	456	1247	1050
OLD MILL® SOFFIT										
	7/16 in. Old Mill® Soffit	7/16 in.	6	126	16	21.33	0.395 in. x 16 in. x 16 ft.	2688	1050	4404
	1/2 in. Old Mill® Soffit	1/2 in.	5	105	16	21.33	0.485 in. x 16 in. x 16 ft.	2240	1050	4250

PANEL SIDING	Panel Style	Texture	Size	Pieces / Unit	Sq. ft. Coverage / Piece	Actual	Approx. Coverage Sq. ft. / Unit*	Approx. Sq. ft. Needed to Cover 1000 Sq. ft. of Wall Area*	Approx. Weight Lbs. / Unit
		3/4 in. Channel Groove 8 in. O.C.	Old Mill®	7/16 in. x 48-13/16 in. x 7 ft.	45	28	0.395 in. x 48.81 in. x 7 ft.	1134	1100
	3/4 in. Channel Groove 8 in. O.C.	Old Mill®	7/16 in. x 48-13/16 in. x 8 ft.	45	32	0.395 in. x 48.81 in. x 8 ft.	1296	1100	2320
	3/4 in. Channel Groove 8 in. O.C.	Old Mill®	7/16 in. x 48-13/16 in. x 9 ft.**	45	36	0.395 in. x 48.81 in. x 9 ft.	1458	1100	2545
	Reverse Board & Batten	Old Mill®	7/16 in. x 48-13/16 in. x 8 ft.**	45	32	0.395 in. x 48.81 in. x 8 ft.	1296	1100	2345
	Sturdy Panel 8 in. O.C. (Home Depot Exclusive)	Old Mill®	7/16 in. x 48-13/16 in. x 8 ft.**	45	32	0.395 in. x 48.81 in. x 8 ft.	1296	1100	2265
	3/8 in. Groove 8 in. O.C.	Old Mill®	7/16 in. x 48-13/16 in. x 8 ft.**	45	32	0.395 in. x 48.81 in. x 8 ft.	1296	1100	2265
	Square Edge (Plain)	Old Mill®	7/16 in. x 4 ft. x 8 ft.	45	32	0.395 in. x 48 in. x 8 ft.	1296	1100	2485
	Square Edge (Plain)	Smooth	7/16 in. x 4 ft. x 8 ft.	45	32	0.395 in. x 48 in. x 8 ft.	1296	1100	2485
	3/8 in. Striated Groove 808 8 in. O.C.	Old Mill®	1/2 in. x 48-13/16 in. x 8 ft.	37	32	0.485 in. x 48.81 in. x 8 ft.	1066	1100	2250
	Adobe™ Panel Siding Shiplap Edge	Adobe™	1/2 in. x 48-13/16 in. x 8 ft.	37	32	0.485 in. x 48.81 in. x 8 ft.	1066	1100	2270

NON-REVERSIBLE TRIM	Actual Size	Thickness	Pieces / Bundle	Pieces / Unit	Weight / Unit	Lineal ft. / Unit	Actual
		2-1/2 in. x 16 ft.	3/4 in.	12	360	3724	5760
	3-1/2 in. x 16 ft.	3/4 in.	8	240	3434	3840	0.75 in. x 3.5 in. x 16 ft.
	5-1/2 in. x 16 ft.	3/4 in.	8	160	3421	2560	0.75 in. x 5.5 in. x 16 ft.
	7-1/4 in. x 16 ft.	3/4 in.	4	120	3105	1920	0.75 in. x 7.25 in. x 16 ft.
	9-1/4 in. x 16 ft.	3/4 in.	4	100	3725	1600	0.75 in. x 9.25 in. x 16 ft.
	11-1/4 in. x 16 ft.	3/4 in.	4	80	3618	1280	0.75 in. x 11.25 in. x 16 ft.

REVERSIBLE TRIM	Actual Size	Thickness	Pieces / Bundle	Pieces / Unit	Weight / Unit	Lineal ft. / Unit	Actual
		2-1/2 in. x 16 ft.	1 in.	9	324	3920	5184
	3-1/2 in. x 16 ft.	1 in.	6	216	3820	3456	0.960 in. x 3.5 in. x 16 ft.
	5-1/2 in. x 16 ft.	1 in.	6	144	3780	2304	0.960 in. x 5.5 in. x 16 ft.
	7-1/4 in. x 16 ft.	1 in.	3	108	3940	1728	0.960 in. x 7.25 in. x 16 ft.
	9-1/4 in. x 16 ft.	1 in.	3	90	4105	1440	0.960 in. x 9.25 in. x 16 ft.
	11-1/4 in. x 16 ft.	1 in.	3	72	3955	1152	0.960 in. x 11.25 in. x 16 ft.

PLOWED FASCIA	Actual Size	Thickness	Pieces / Bundle	Pieces / Unit	Weight / Unit	Lineal ft. / Unit	Actual
		7-1/4 in. x 16 ft.**	3/4 in.	4	120	3090	1920

TRUWOOD NOTES

LAP SIDING

* Allows for 1 in. overlap and assumes a 5% waste factor.

PANEL SIDING

* Assumes a 10% waste factor for cutting and fitting.

All grooved panels are shipped on the long edges and cut over size to provide 48 in. net coverage when applied.

Adobe panels are shipped on the long edges and cut oversize to provide 48 in. net coverage when applied.

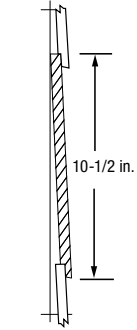
** Limited availability

PLOWED FASCIA

** Old Mill® face, plowed on the Back Side.

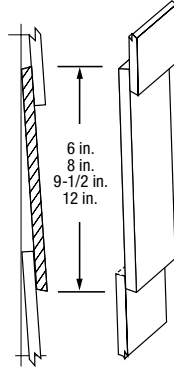
PRODUCT PROFILES

CEDAR SHAKE LAP SIDING (16 ft. LENGTHS)



Self-Aligning Cedar Shake
1/2 in. Lap Siding
12.67 sq. ft. coverage/piece

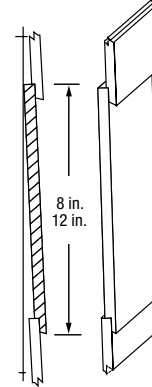
BEVEL EDGE LAP SIDING (16 ft. LENGTHS)



6 in. - 6.67
8 in. - 9.33
9-1/2 in. - 11.33
12 in. - 14.67
sq. ft. coverage/piece

Bevel Edge
7/16 in. Lap Siding

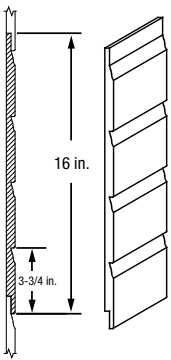
SELF-ALIGNING LAP SIDING (16 ft. LENGTHS)



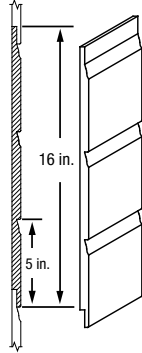
8 in. - 9.33
12 in. - 14.67
sq. ft. coverage/piece

Self-Aligning
1/2 in. Lap Siding

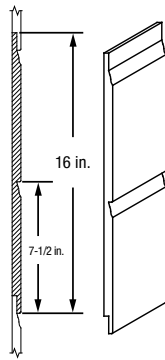
SELF-ALIGNING COTTAGE LAP® SIDING (16 ft. LENGTHS)



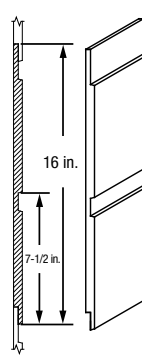
4 in. Cottage Lap
7/8 in. Groove
1/2 in. Lap Siding
20 sq. ft. coverage/piece



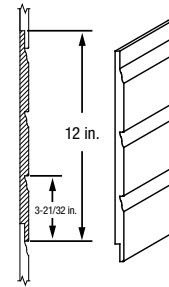
5 in. Cottage Lap
7/8 in. Groove
1/2 in. Lap Siding
20 sq. ft. coverage/piece



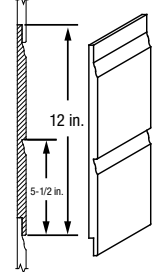
8 in. Cottage Lap
7/8 in. Groove
1/2 in. Lap Siding
20 sq. ft. coverage/piece



Channel Rustic
1 in. Groove
1/2 in. Lap Siding
20 sq. ft. coverage/piece

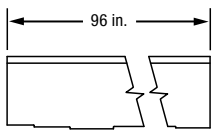


TwelveFour Cottage Lap
7/8 in. Groove
1/2 in. Lap Siding
14.67 sq. ft. coverage/piece

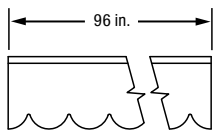


TwelveSix Cottage Lap
7/8 in. Groove
1/2 in. Lap Siding
14.67 sq. ft. coverage/piece

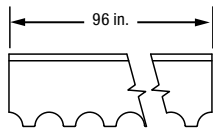
DESIGNER SHAKE® SIDING (8 ft. LENGTHS)



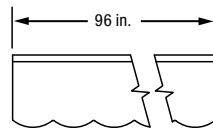
Designer Shake Craftsmen Staggered
1/2 in. Lap Siding
5.33 sq. ft. coverage/piece



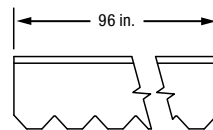
Designer Shake Round
1/2 in. Lap Siding
4.5 sq. ft. coverage/piece



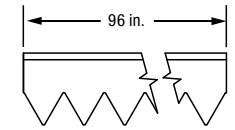
Designer Shake Cove
1/2 in. Lap Siding
4.33 sq. ft. coverage/piece



Designer Shake Fishscale
1/2 in. Lap Siding
5 sq. ft. coverage/piece



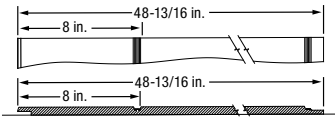
Designer Shake Octagon
1/2 in. Lap Siding
4.5 sq. ft. coverage/piece



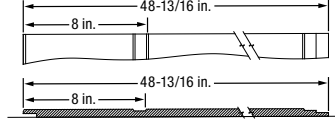
Designer Shake Diamond
1/2 in. Lap Siding
2.83 sq. ft. coverage/piece

PRODUCT PROFILES

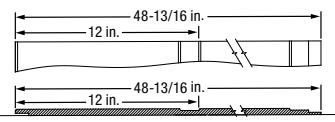
PANEL SIDING (4 ft. x 8 ft. PANELS)



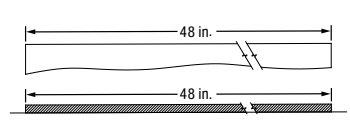
1/2 in. Old Mill® 808 Striated Groove
7/16 in. 3/8 in. Groove
7/16 in. Sturdy Panel
32 sq. ft. coverage/piece



7/16 in. Old Mill®
8 in. O.C. Channel Groove - 3/4 in. Groove
(also available in. 4 ft. x 7 ft. and 4 ft. x 9 ft. panels)
32 sq. ft. coverage/piece

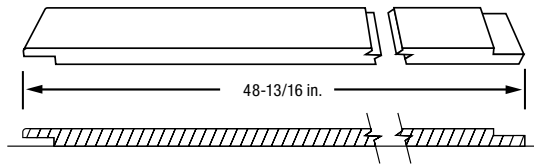


7/16 in. Old Mill®
12 in. Reverse Board and Batten -
1-3/16 in. Groove
32 sq. ft. coverage/piece



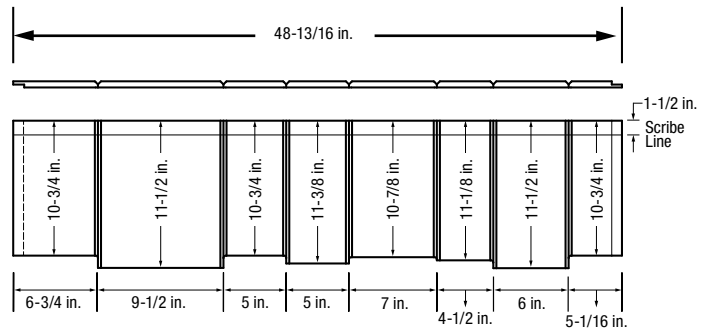
7/16 in. Old Mill® Square Edge
7/16 in. Smooth Square Edge
32 sq. ft. coverage/piece

ADOBE® PANEL SIDING (4 ft. x 8 ft. PANELS)



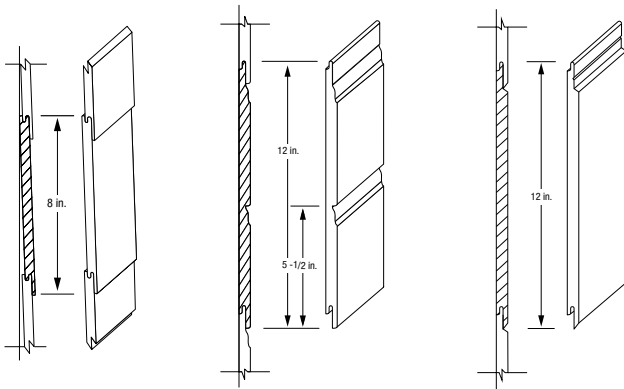
Adobe 1/2 in. Panel Siding Shiplapped Edge
32 sq. ft. coverage/piece

OLD MILL® SHINGLE LAP SIDING



1/2 in. Old Mill® Shingle Lap
3.25 sq. ft. coverage/piece

SURE LOCK™ LAP SIDING WITH CONCEALED NAILING SYSTEM (16 ft. LENGTHS)

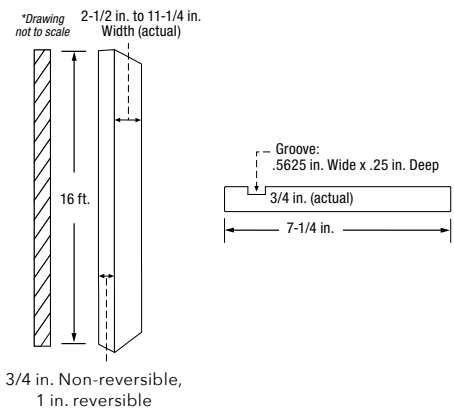


8 in. Sure Lock
1/2 in. Lap Siding
9.33 sq. ft. coverage/piece

Sure Lock Six Cottage Lap
7/8 in. Groove
1/2 in. Lap Siding
14.67 sq. ft. coverage/piece

12 in. Sure Lock V-Rustic
3/8 in. Groove
1/2 in. Lap Siding
14.67 sq. ft. coverage/piece

TRIM / SOFFIT / FASCIA (16 ft. LENGTHS)



For more information about TruWood Siding and Trim, including warranty and installation instructions, or to view our Visualizer tool, please call **800.417.3674** or visit **TruWoodSiding.com**.

TruWood Siding and Trim meet the requirements of the following:
2021 International Building Code | 2021 International Residential Code | ICC ESR-2588
American National Standard ANSI-CPA 135.6 – 2012
California Wildland-Urban Interface (WUI)



Follow TruWood® Siding or Trim installation instructions.

Ask us about ValuForm® concrete forming products.



12 in. SURE LOCK V-RUSTIC LAP

8 in. SURE LOCK LAP

SURE LOCK SIX COTTAGE LAP

SURE LOCK™ LAP SIDING

TruWood[®]
Collins Products LLC SIDING | TRIM

SURE LOCK™ LAP SIDING WITH CONCEALED NAILING SYSTEM

TruWood Sure Lock™ 1/2 in. Lap Siding does more than securely lock in each piece of siding, it also locks in Tru beauty. Sure Lock uses a hidden nail design that allows for flexible and easy application, and features our Old Mill® textured surface for the look of cedar without the defects or high cost. And now, you can also opt for our new 12 in. V-Rustic siding for the lasting curb appeal of mid-century modern style. No matter which you choose, you'll always get quality and character that lasts.

FEATURES/BENEFITS

- Sure Lock profile assures straight, level installation
- Quality engineered surface and core
- 30-year limited warranty
- Pre-primed for improved weatherability
- 16 ft. lengths
- Matching reversible TruWood Trim
- Installs 25-40% faster than cement or vinyl sidings
- Use for residential single-family, multi-family housing, remodeling and light commercial projects
- Easy and safe to install using normal woodworking tools. No silica dust.
- Ask us about our FSC® products (FSC®-C002971)

TREATED WITH

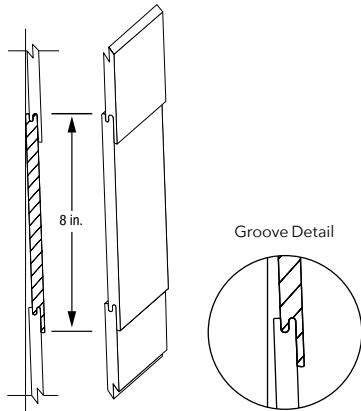
EcoGuard[®]

ZINC BORATE

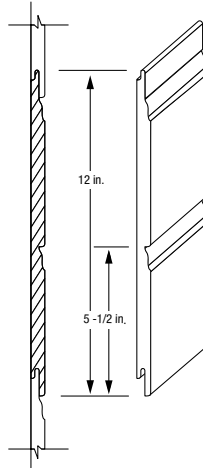
- Resists mildew, rot and termite damage
- Naturally-occurring additive safe for use around children and pets

New V-Rustic style now available

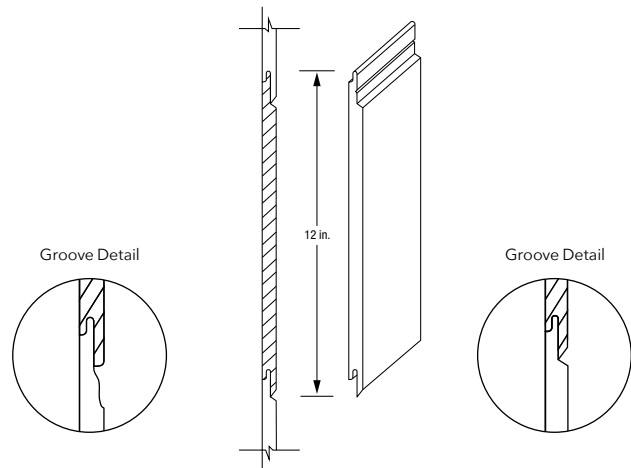
**8 in. SURE LOCK
1/2 in. LAP SIDING**



**SURE LOCK SIX COTTAGE LAP
7/8 in. GROOVE
1/2 in. LAP SIDING**



**12 in. SURE LOCK V-RUSTIC
3/8 in. GROOVE
1/2 in. LAP SIDING**



SPECIFICATIONS:

8 in. Sure Lock™ Lap Siding

Lap Size	Pc./ Bundle	Pc./ Unit	Maximum Exposure in inches	Sq. Ft. Coverage Per Piece	Approx Coverage Sq. Ft./ Unit	Sq. Ft. Needed To Cover 1,000 Sq. Ft. of Wall Area	Approx. Weight Lbs./Unit
1/2 in. x 8 in. x 16 ft.	5	210	7	9.33	1862	1200	4550

Sure Lock Six Cottage Lap® Siding

Lap Size	Pc./ Bundle	Pc./ Unit	Maximum Exposure in inches	Sq. Ft. Coverage Per Piece	Approx Coverage Sq. Ft./ Unit	Sq. Ft. Needed To Cover 1,000 Sq. Ft. of Wall Area	Approx. Weight Lbs./Unit
1/2 in. x 12 in. x 16 ft.	5	140	11	14.67	1951	1145	4550

12 in. Sure Lock V-Rustic Lap Siding

Lap Size	Pc./ Bundle	Pc./ Unit	Maximum Exposure in inches	Sq. Ft. Coverage Per Piece	Approx Coverage Sq. Ft./ Unit	Sq. Ft. Needed To Cover 1,000 Sq. Ft. of Wall Area	Approx. Weight Lbs./Unit
1/2 in. x 12 in. x 16 ft.	5	140	11	14.67	1951	1145	4550

Selection

Lap Style	Size	Surface Texture
8 in. Sure Lock Lap	1/2 in. x 8 in. x 16 ft.	Old Mill®
Sure Lock Six Cottage Lap	1/2 in. x 12 in. x 16 ft.	Old Mill®
12 in. Sure Lock V-Rustic Lap	12 in. x 12 in. x 16 ft.	Old Mill®

*Allows for a 1 in. overlap and assumes a 5% waste factor.

TruWood Siding and Trim meet the requirements of the following:

2018 International Building Code
 2018 International Residential Code
 ICC ESR-2588
 American National Standard ANSI-CPA 135.6 - 2012
 California Wildland-Urban Interface (WUI)

Fire rating = Class C
 R Value = 0.67 (hour) (Sq. Ft.) (Fahrenheit) per BTU
 1/2 in. Lap Siding = No Shear Value

CAL. PROP 65 WARNING: Use of this product may result in exposure to wood dust, known to the State of California to cause cancer.

PROPER STORAGE AND HANDLING

- Store siding flat and support on stringers to avoid sagging and contact with the ground
- Siding must be covered and protected from the elements
- Stack no more than eight units high
- Allow siding to acclimatize to local conditions prior to installation

TO FIND YOUR NEAREST DISTRIBUTOR, WARRANTY INFORMATION, INSTALLATION INSTRUCTIONS, CARE AND MAINTENANCE INSTRUCTIONS, A SIDING CALCULATOR, OR TO VIEW OUR PRODUCTS ON SAMPLE HOMES USING OUR VISUALIZER TOOL, HEAD TO **TruWoodSiding.com**. CAN'T FIND WHAT YOU NEED? **800.417.3674**

